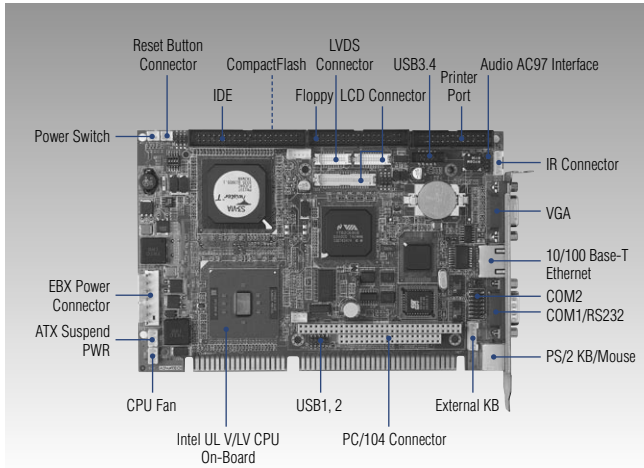


PCA-6773

ISA based Slot-PC w/Intel Celeron® ULV400, 650/Pentium® LV800, 933, supporting VGA/LVDS/LAN/CFC and PC/104



Specifications

General

- **CPU** Onboard Intel Celeron ULV400, 650/Pentium LV800, 933 MHz CPU (optional)
- **2nd Cache Memory** Celeron ULV400, 650: 256 KB
Pentium III LV800, 933: 512 KB
- **System Chipset** VIA VT8606 "TwisterT"+VT82C686B
- **BIOS** AWARD 256 kbit Flash BIOS
- **System Memory** SDRAM SODIMM x 1, Max. 512 MB (optional: SODIMM x 2, Max. 1 GB)
- **Power Management** APM 1.1
- **SSD** Support CompactFlash®. Card type/II
- **Watch Dog Timer** 1 ~ 62 sec, System reset or IRQ11
- **Expansion Interface** 1 x 16-bit ISA slot, 1 x PC/104 connector
- **Battery** Lithium 3 V/196 mAh

I/O

- **I/O Interface** 1 x EIDE (ATA-100), 1 x FDD, 1 x K/B, 1 x Mouse, 1 x RS-232/422/485, 1 x RS-232, 1 x LPT
- **USB** 4 USB ports, USB 1.1 compliant
- **Audio** N/A
- **IrDA** 115 Kbps SIR, IrDA 1.0 compliant
- **GPIO** N/A
- **I/O Expansion** PC104, ISA

Ethernet

- **Chipset** Intel 82551ER, 82551QM (optional)
RealTek 8139C (optional)
- **Speed** 10/100Base-T
- **Interface** RJ-45
- **Standard** IEEE 802.3u (100Base-T) protocol compatible
- **Boot ROM** Optional

Features

- Intel Celeron® ULV400, 650/Pentium® LV800, 933 CPU on board (optional)
- Onboard PCI SVGA VGA/LCD display
- 4 x AGP graphics for high performance applications
- Low power consumption, requires no CPU cooling fan (ULV400, 650)
- 10/100 Mbps Ethernet
- Supports boot from USB device
- Supports wake-on-LAN (Optional: 82551QM)
- Supports call-up by Modem
- Supports LVDS interface
- Supports LCD backlight turn-off function
- RS-485 auto-flow

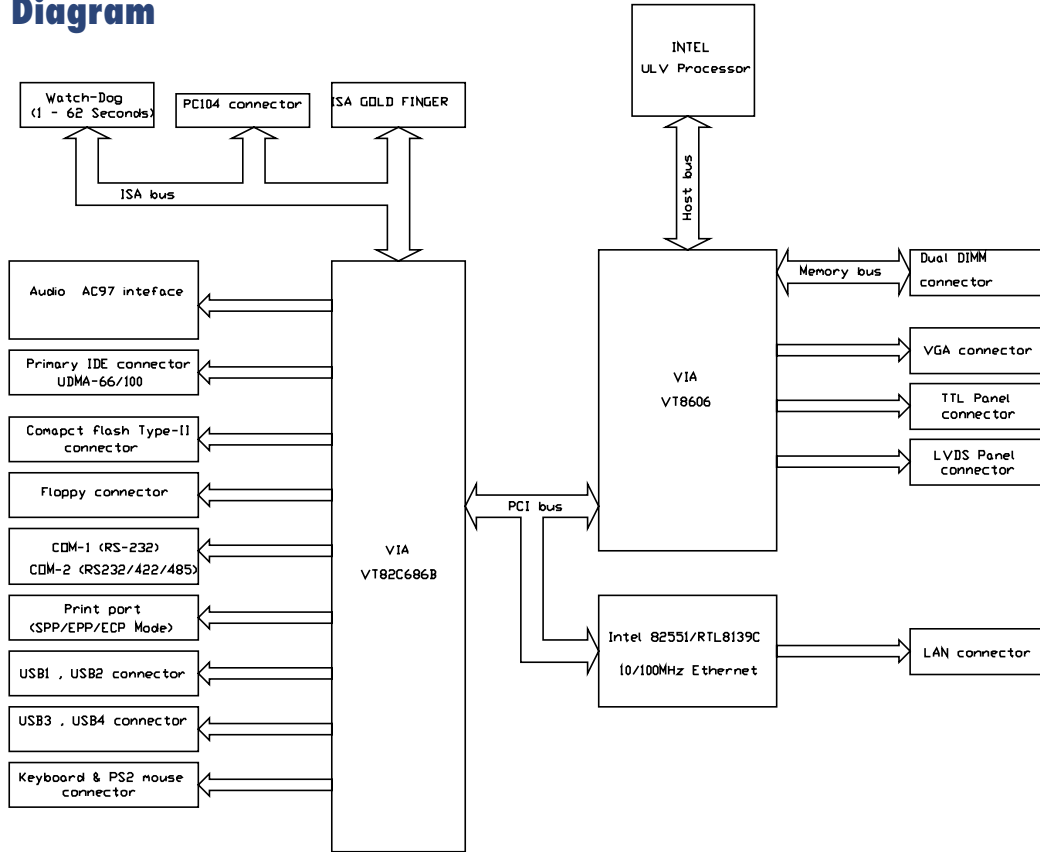
Display

- **Chipset** VIA TwisterT chip with integrated Savage4 2D/3D/Video Accelerator
- **Memory Size** Supports 8/16/32 MB frame buffer with system memory
- **Resolution** CRT Modes:
1280 x 1024 @ 16 bpp (60 Hz)
1024 x 768 @ 16 bpp (85 Hz)
800 x 600 @ 16 bpp (60 Hz)
LCD/Simultaneous Modes:
1280 x 1024 @ 16 bpp (60 Hz)
1024 x 768 @ 16 bpp (60 Hz)
1280 x 1024 @ 32 bpp
- **LCD Interface** Support for 9, 12, 15, 18, 24, 36 bit TFT
- **LVDS Interface** Supports LVDS interface
- **TV-Out** N/A
- **Dual Independent Display** N/A

Mechanical and Environmental

- **Dimension (L x W)** 185 x 122 mm (7.3" x 4.8")
- **Weight** 0.27 kg (weight of total package)
- **Operating Temperature** 0 ~ 60° C (32 ~ 140° F), operation
- **Operating Humidity** 0% ~ 90% relative humidity, non-condensing
- **Power Supply Voltage** +5 V, +12 V ± 5%
- **Power Consumption** Max : 5 A @ +5 V, 201 mA @ +12 V (with 128 MB SDRAM, Intel ULV-400 MHz CPU)
Typical : 2.55 A @ +5 V, 48 mA @ +12 V (with 128 MB SDRAM, Intel ULV-400 MHz CPU)

Board Diagram



Packing List

- 1 x PCA- 6773 SBC
- 1 x Y cable for PS/2 Keyboard, PS/2 Mouse (p/n:1700060202)
- 1 x E-IDE (HDD) Cable (600 mm) (p/n:170140060A)
- 1 x FDD Cable (700 mm) (p/n:1701340705)
- 1 x COM port cable (p/n:1701140201)
- 1 x ATX/AT power cable (p/n:1703080101)
- Mini Jumper (p/n:1653302122)
- 1 x Startup manual
- 1 x Utility CD

Ordering Information

Standard

- **PCA-6773-J0A1** ISA Celeron ULV400 Slot PC
VGA/LCD/LVDS/LAN/CFC/PC104
- **PCA-6773-M0A1** ISA Celeron ULV650 Slot PC
VGA/LCD/LVDS/LAN/CFC/PC104
- **PCA-6773-R0A1** ISA Pentium LV933 Slot PC
VGA/LCD/LVDS/LAN/CFC/PC104

Optional Accessories

- **MBPC-641** 4-slot IPC chassis w/backplane & 65 W power supply
- **IPC-644-80** 4-slot IPC chassis w/backplane& 80 W power supply
- **IPC-6806S** 6-slot IPC chassis w/backplane & 100 W power supply
- **PCA-6114-B** 14-slot ISA passive backplane
- **PCA-6108-0B1** 8-slot ISA passive backplane
- **PCA-6106-B** 6-slot ISA passive backplane
- **PCA-6104-0C1** 4-slot ISA passive backplane
- **1703100260** USB cable adapter (2.00 mm)
- **9689000042** IrDA adapter
- **CF-HDD-ADP** CompactFlash 50-pin to IDE 44-pin adapter
- **PCM-231A-00A1** Audio module with Line-in, Line-out, mic